

AT-3S, 850nm
Smart Series NANO IR Illuminator
 Data Sheet



Ultra Compact Design

- 1.5" (38mm) x1.5" (38mm) cube

Low Voltage

- (9-18) VDC

AT-3S with I/O Ports

- I/O Ports for seamless & precise cameras synchronization

Made in the USA

- All illuminators designed and built in Salt Lake City, UT, USA

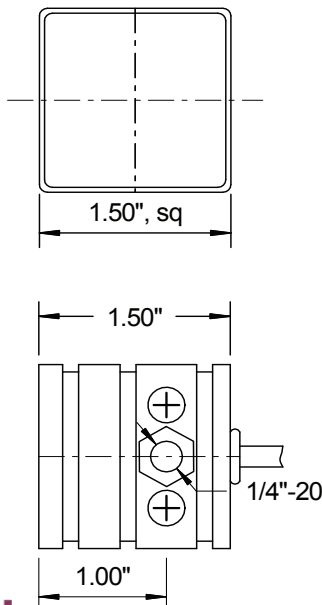
Lifetime Warranty with Advanced Replacement

- We value your trust, that's why all products are covered by a lifetime warranty with advanced replacement

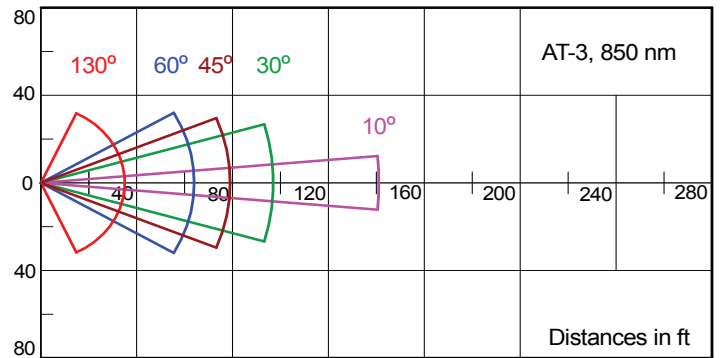


TECHNICAL SPECIFICATIONS

Wavelength:	850nm (semi-covert)
Input Voltage:	9-18 V DC
Power Consumption:	3.5 W
Operating Temperature:	-2°F...+157°F / -20°C...+52°C
Dimensions:	1.5" x 1.5" x 1.5" / 38 x 38 x 38 mm
Weight	2oz./0.06kg.
Environmental	IP 55 - Indoor Use ONLY



ILLUMINATION DISTANCE



ANGLE	RANGE	HFOV
10°	141'/43m	28'/9m
30°	97'/29m	50'/15m
45°	79'/24m	56'/17m
60°	65'/20m	58'/18m
130°	35'/11m	63'/20m

